

(D)	Originalbetriebsanleitung - Absaugmobil	7
(GB)	Original operating manual - Mobile dust extractors	12
(F)	Notice d'utilisation d'origine - Aspirateurs mobile	17
(E)	Manual de instrucciones original - Sistemas móviles de aspiración	22
(I)	Istruzioni per l'uso originali - Unità mobili d'aspirazione	27
(NL)	Originele gebruiksaanwijzing - Mobiele afzuigapparaten	32
(S)	Originalbruksanvisning - Dammsugare	37
(FIN)	Alkuperäiset käyttöohjeet - Siirrettävät imurit	42
(DK)	Original brugsanvisning - Støvsugere	47
(N)	Originalbruksanvisning - Mobil støv-/våtsuger	52
(P)	Manual de instruções original - Aspiradores móveis	57
(RUS)	Оригинал Руководства по эксплуатации - Пылеудаляющие аппараты	62
(CZ)	Originál návodu k obsluze - Mobilní vysavače	68
(PL)	Oryginalna instrukcja eksploatacji - Odkurzacze mobilne	73

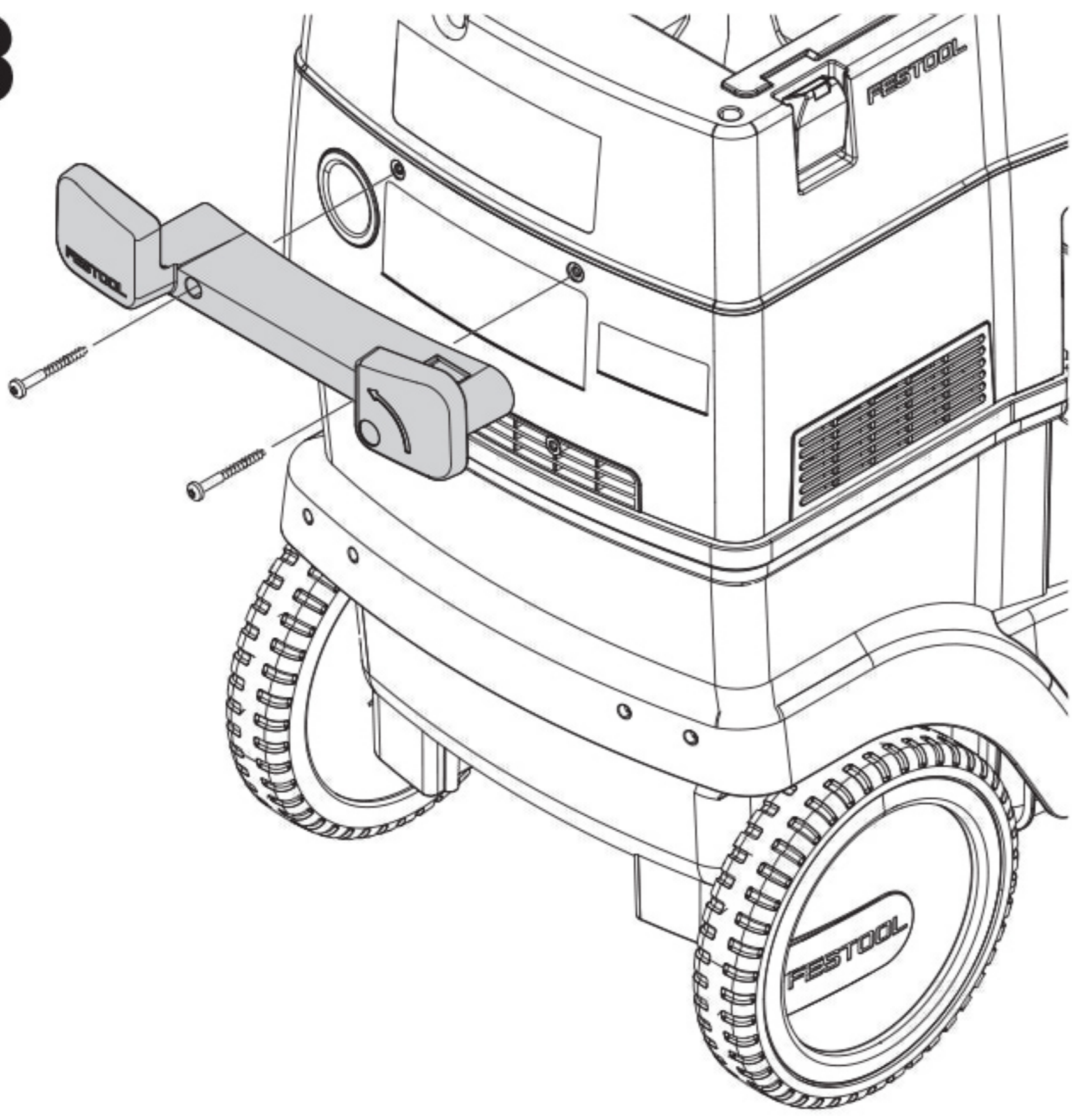
**CTL 26 E, CTL 26 E SD,  
CTL 26 E AC, CTL 26 E SD E/A,  
CTL 36 E, CTL 36 E AC,  
CTL 36 E AC-LHS,  
CTL 36 E LE,  
CTL 48 E, CTL 48 E AC**



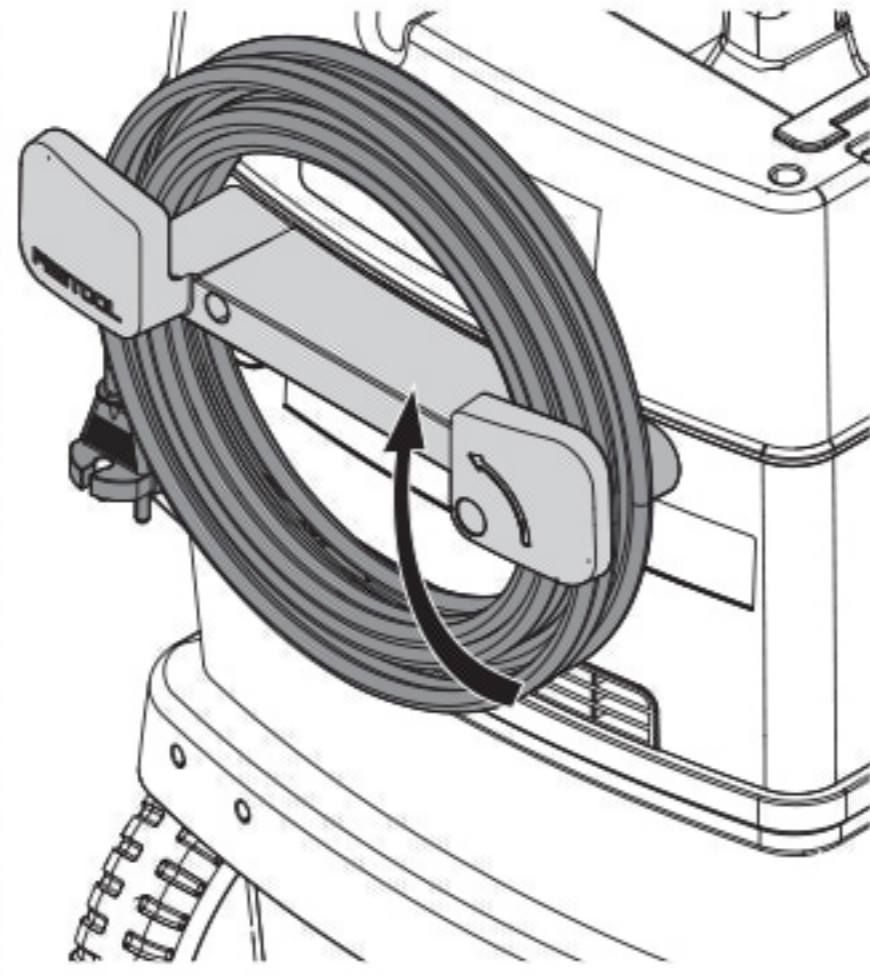
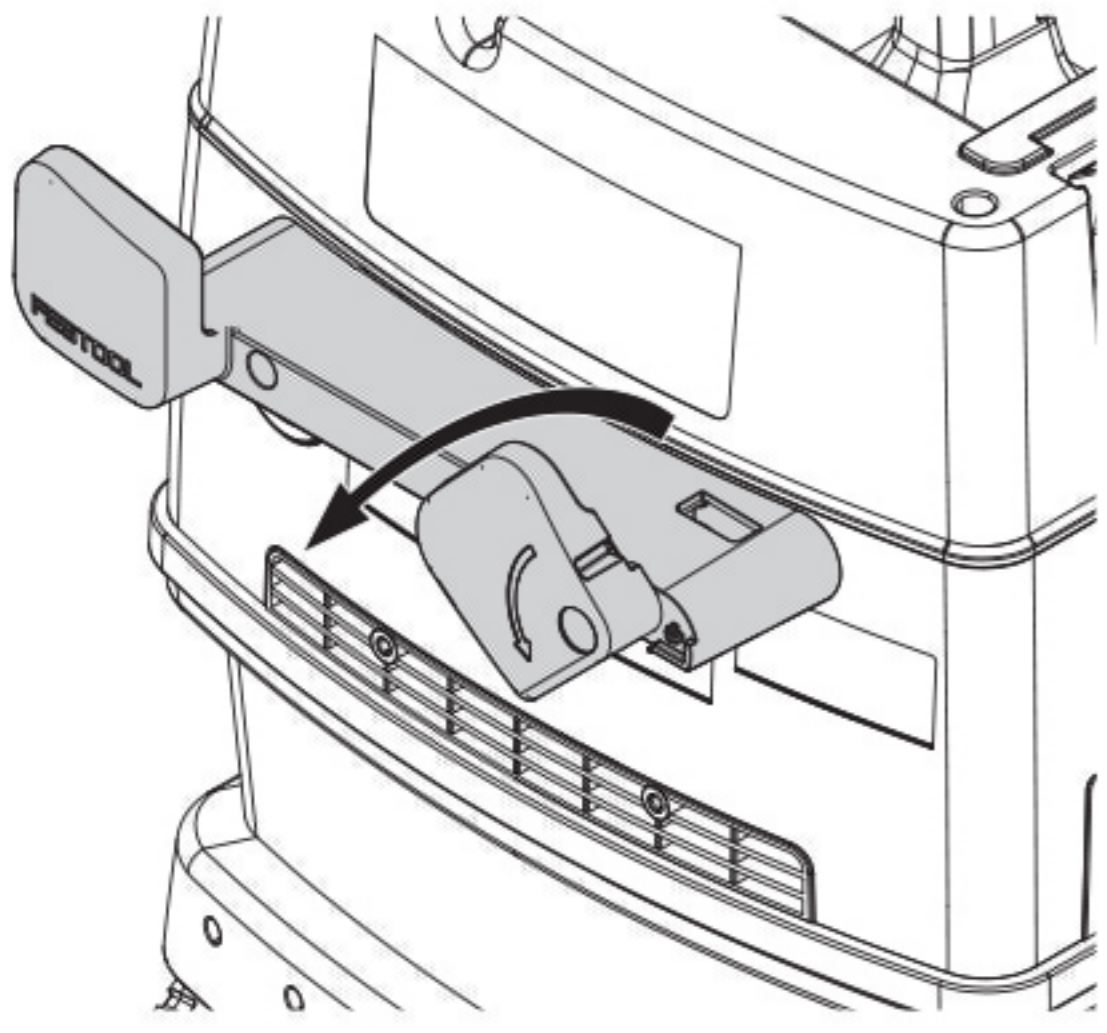
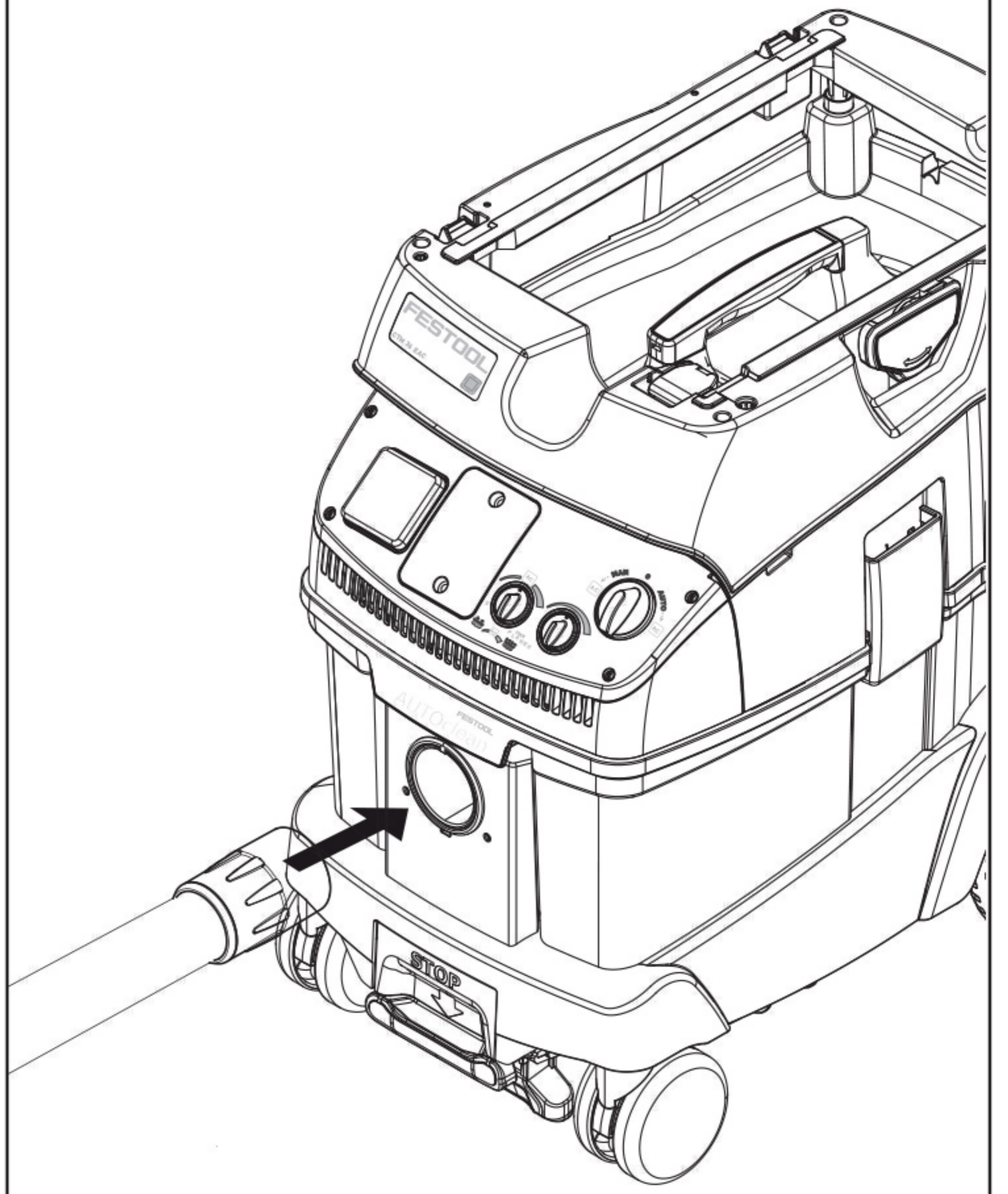
**ПАРКЕТНАЯ  
КОМПАНИЯ**



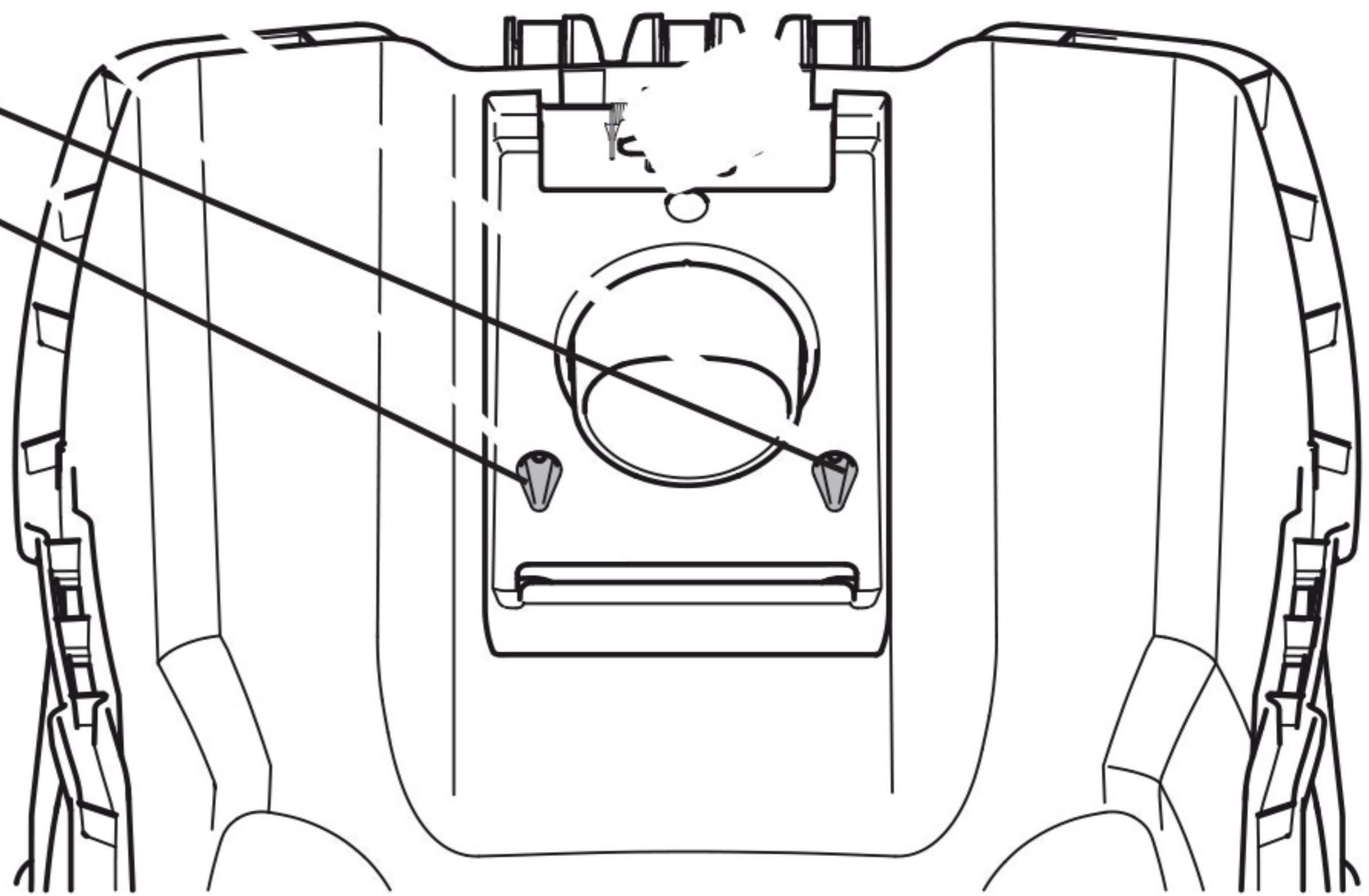
3



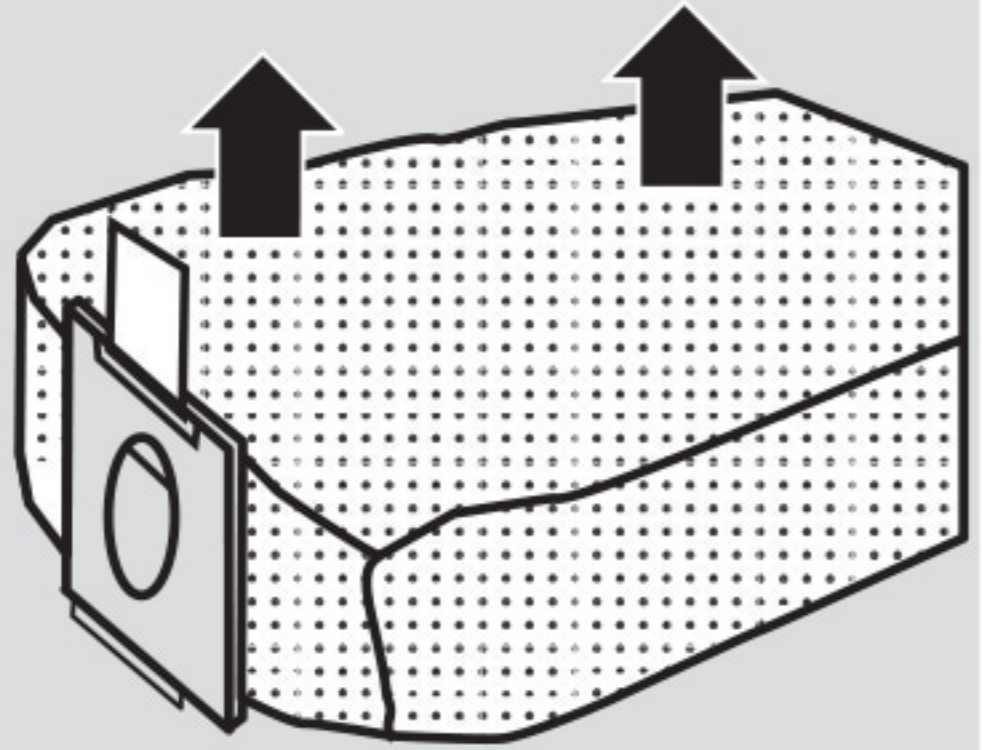
4



5

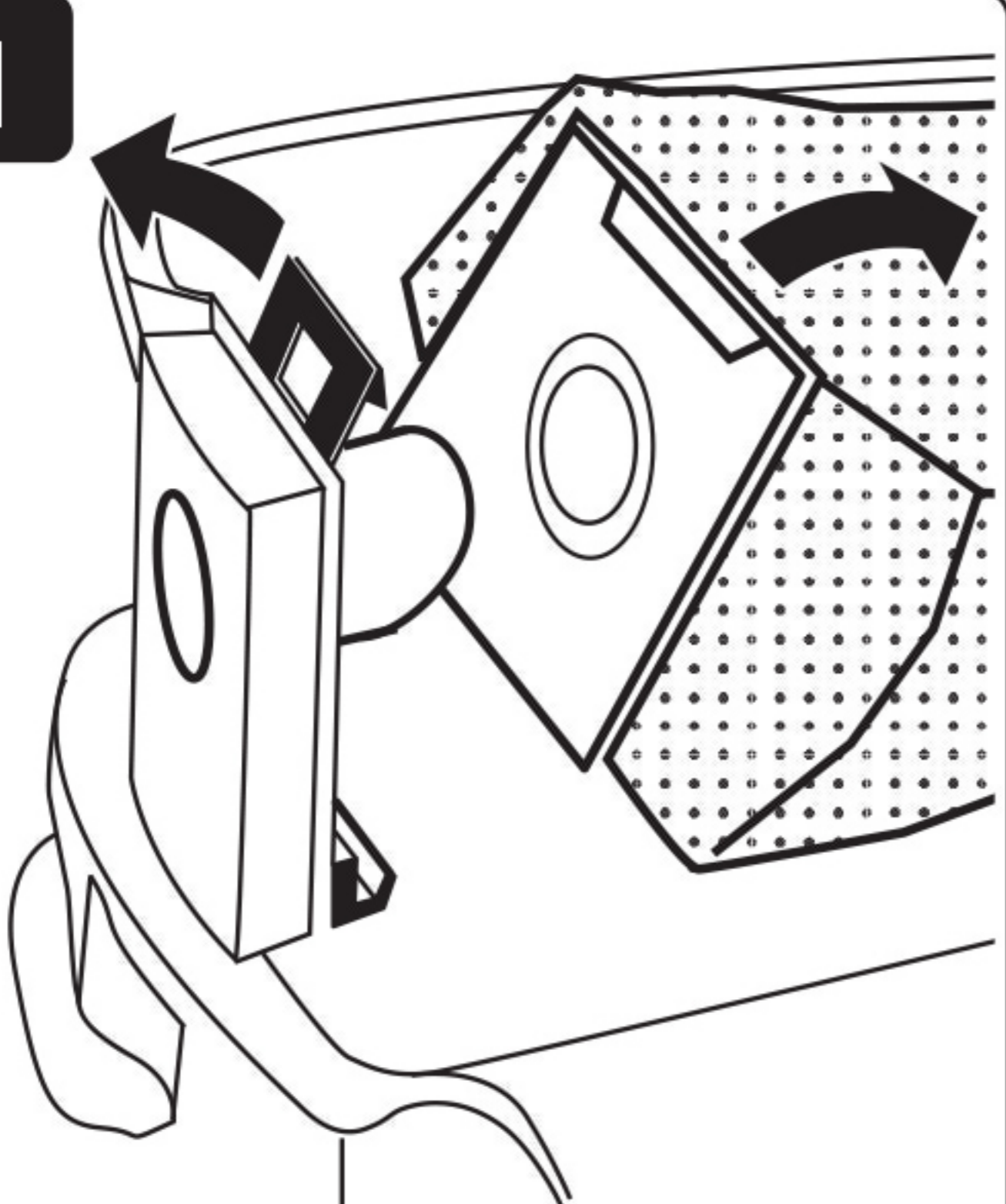


6

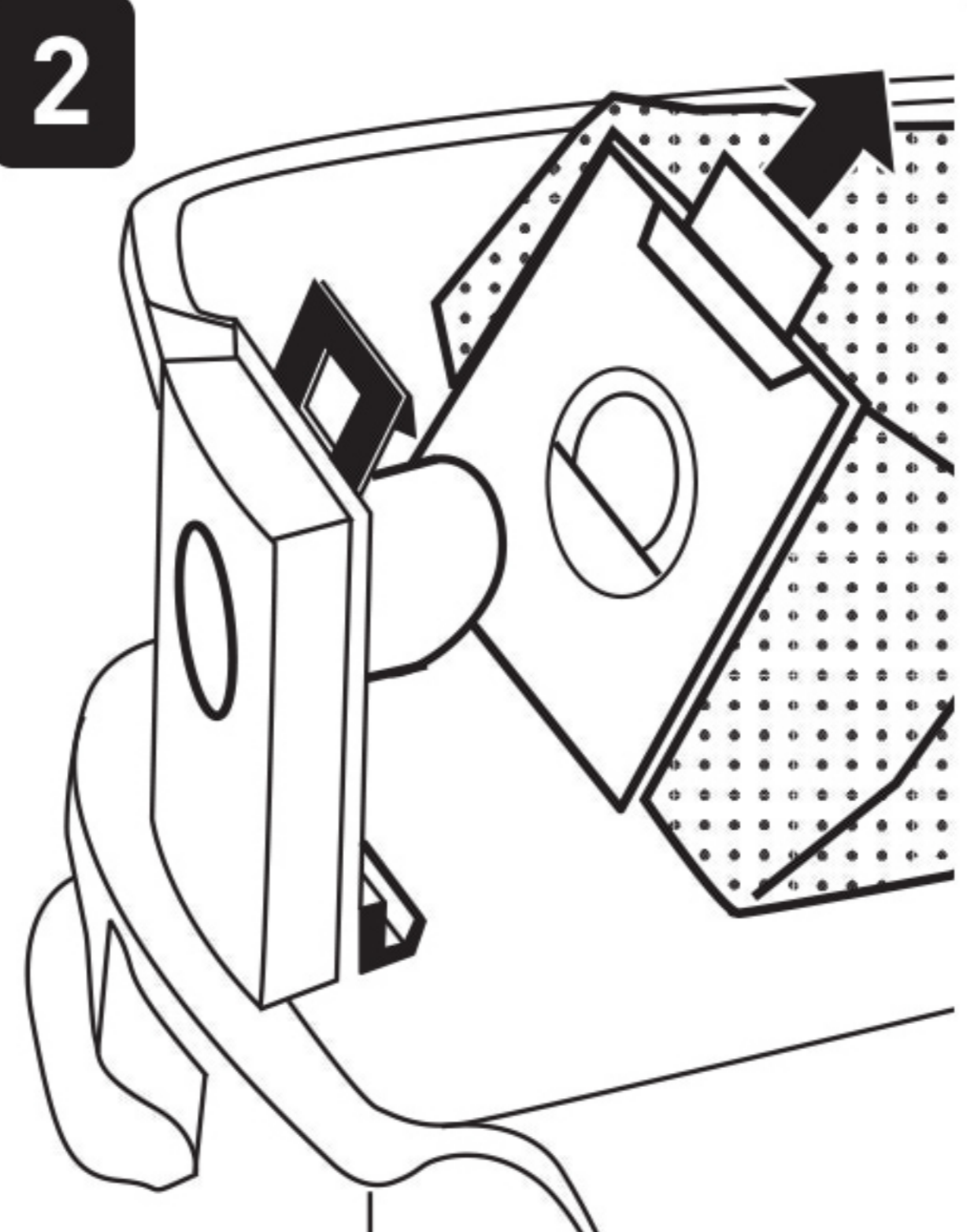


ПАРКЕТНАЯ КОМПАНИЯ

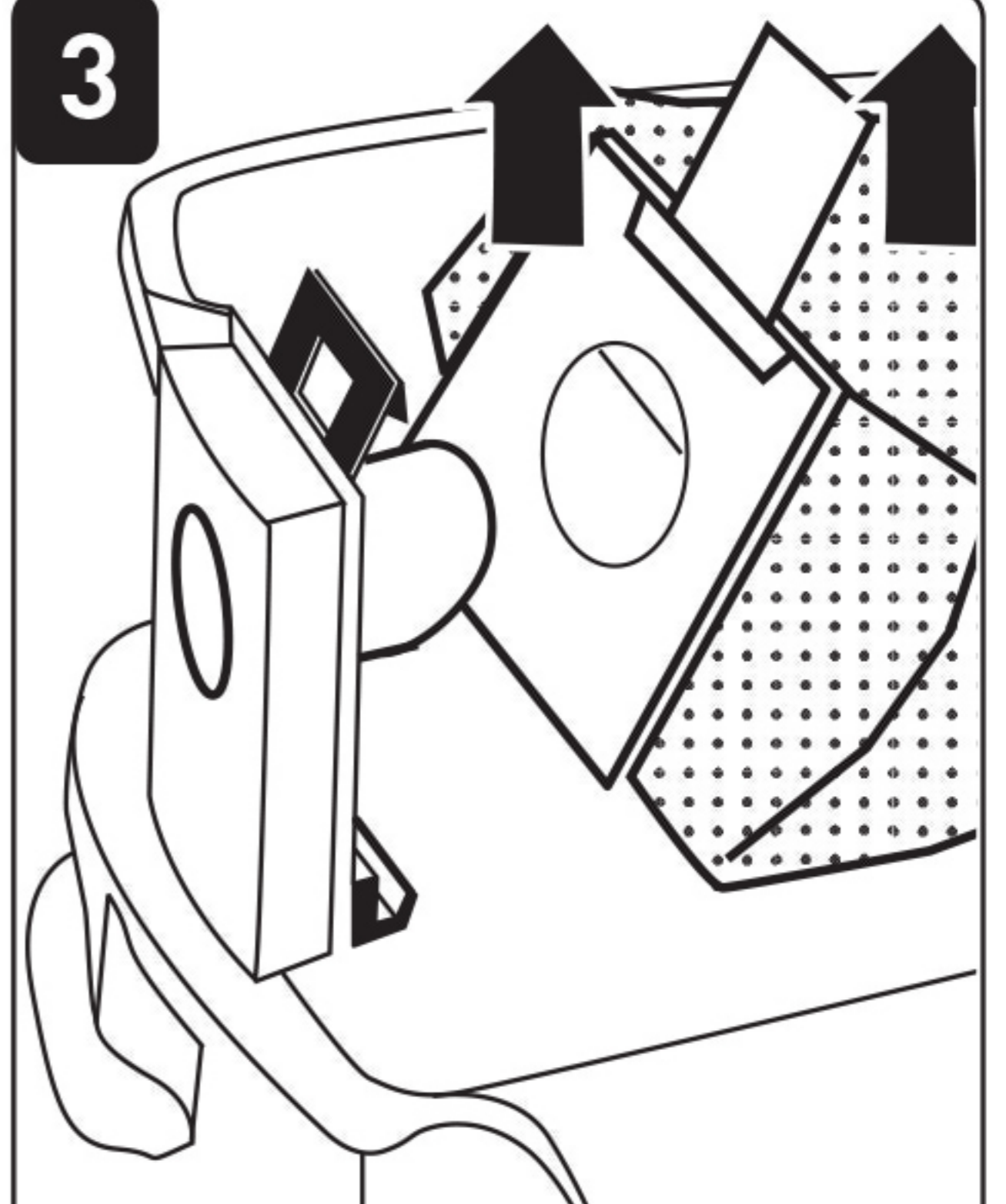
1

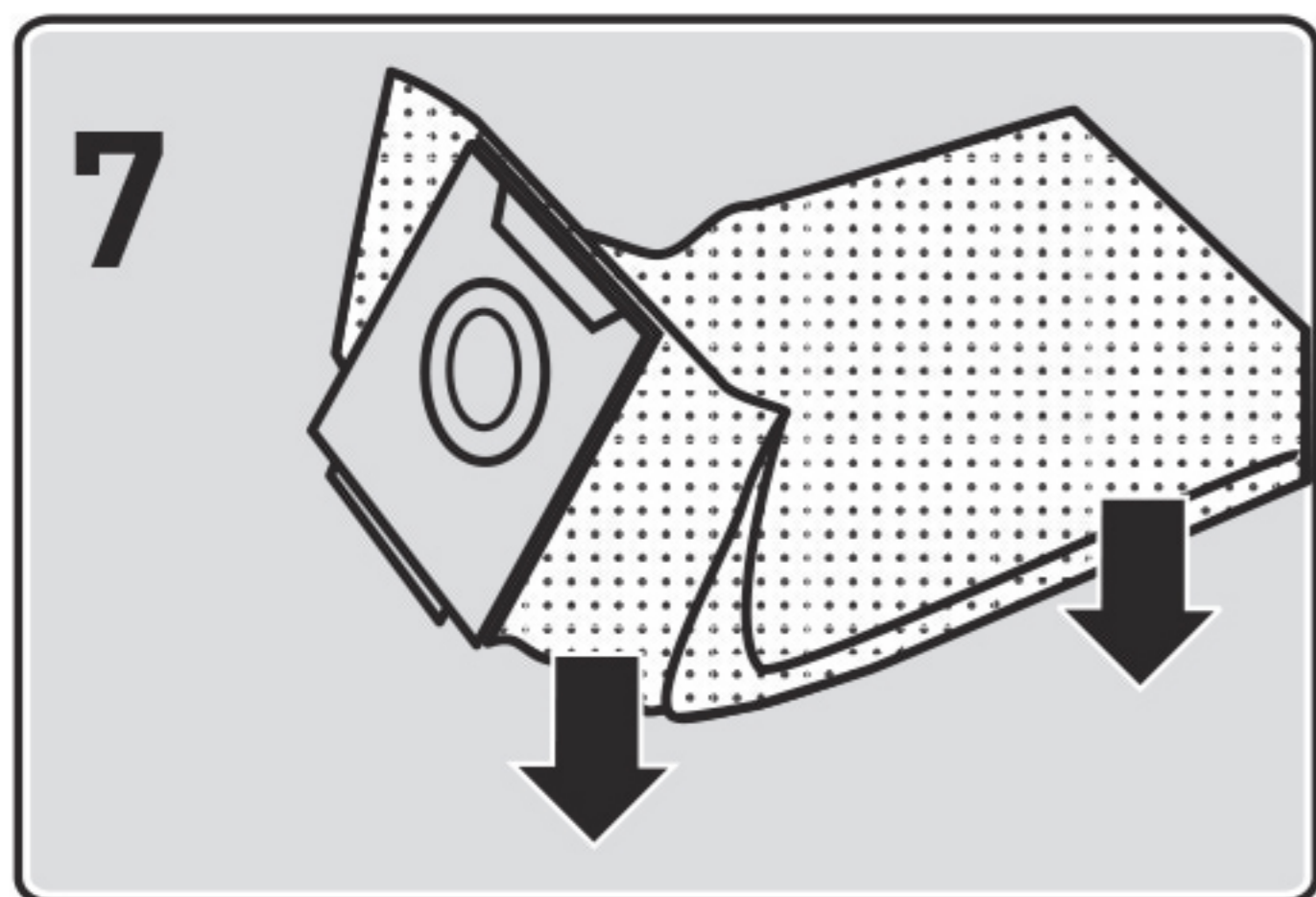



2

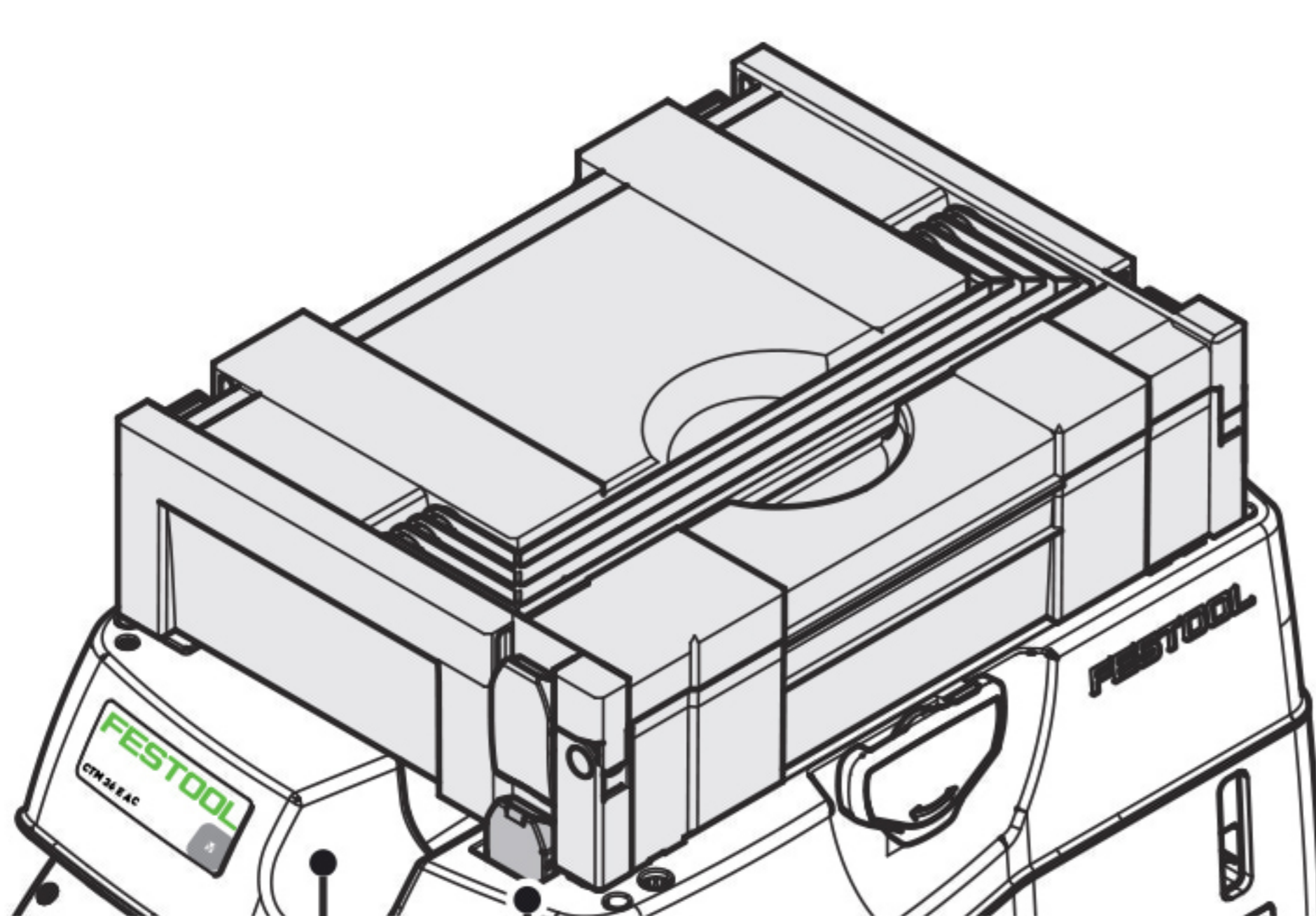
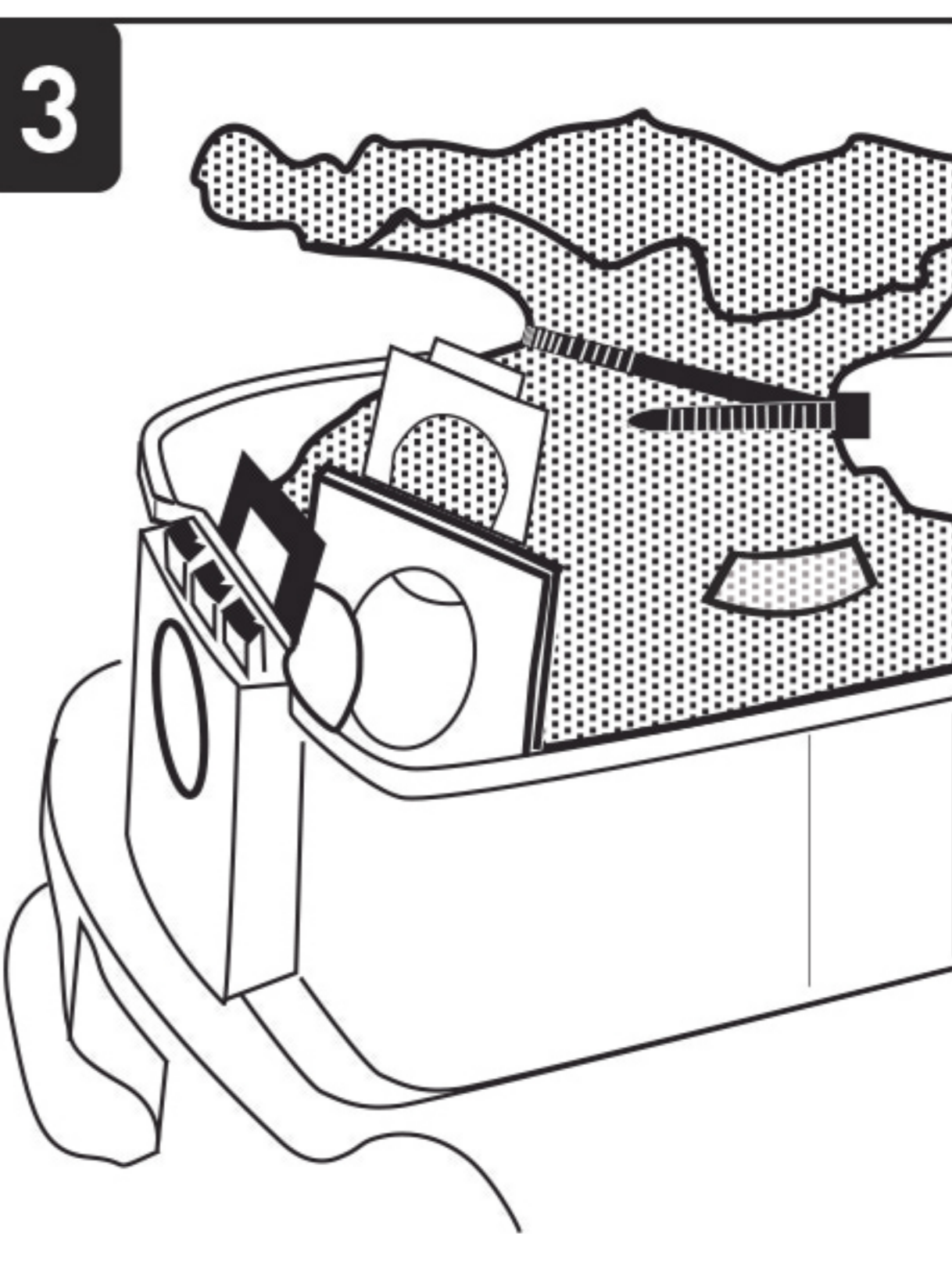
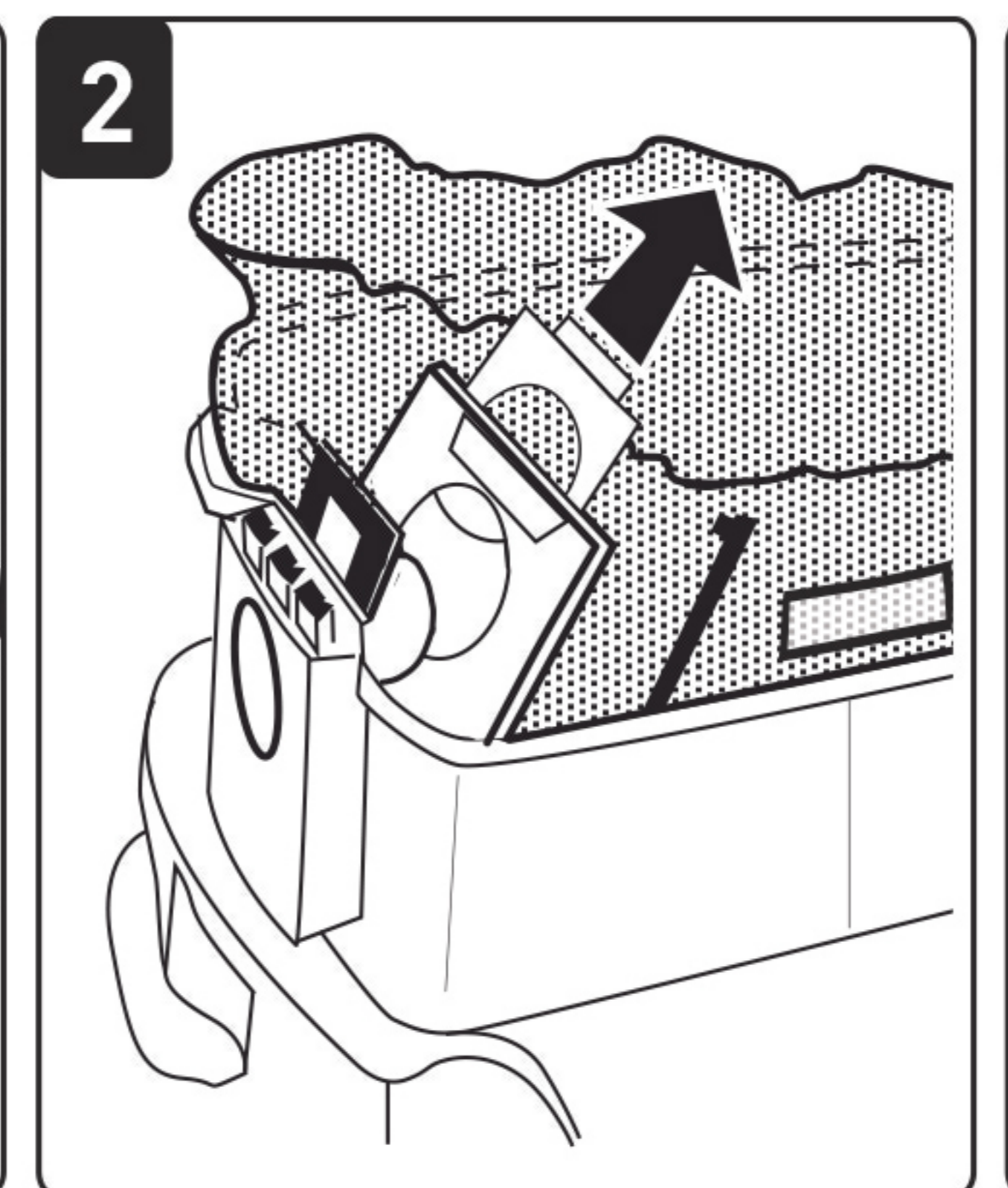
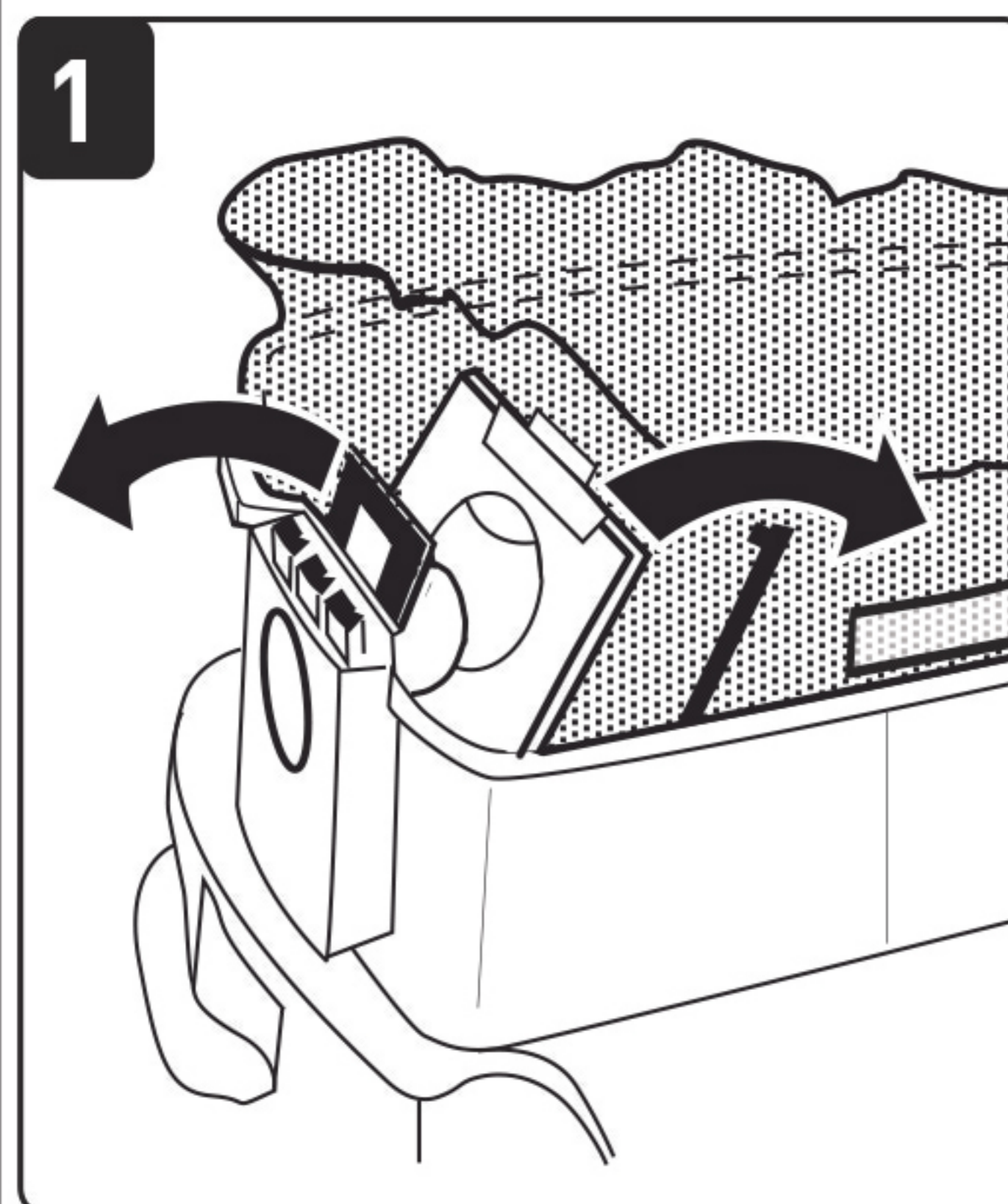
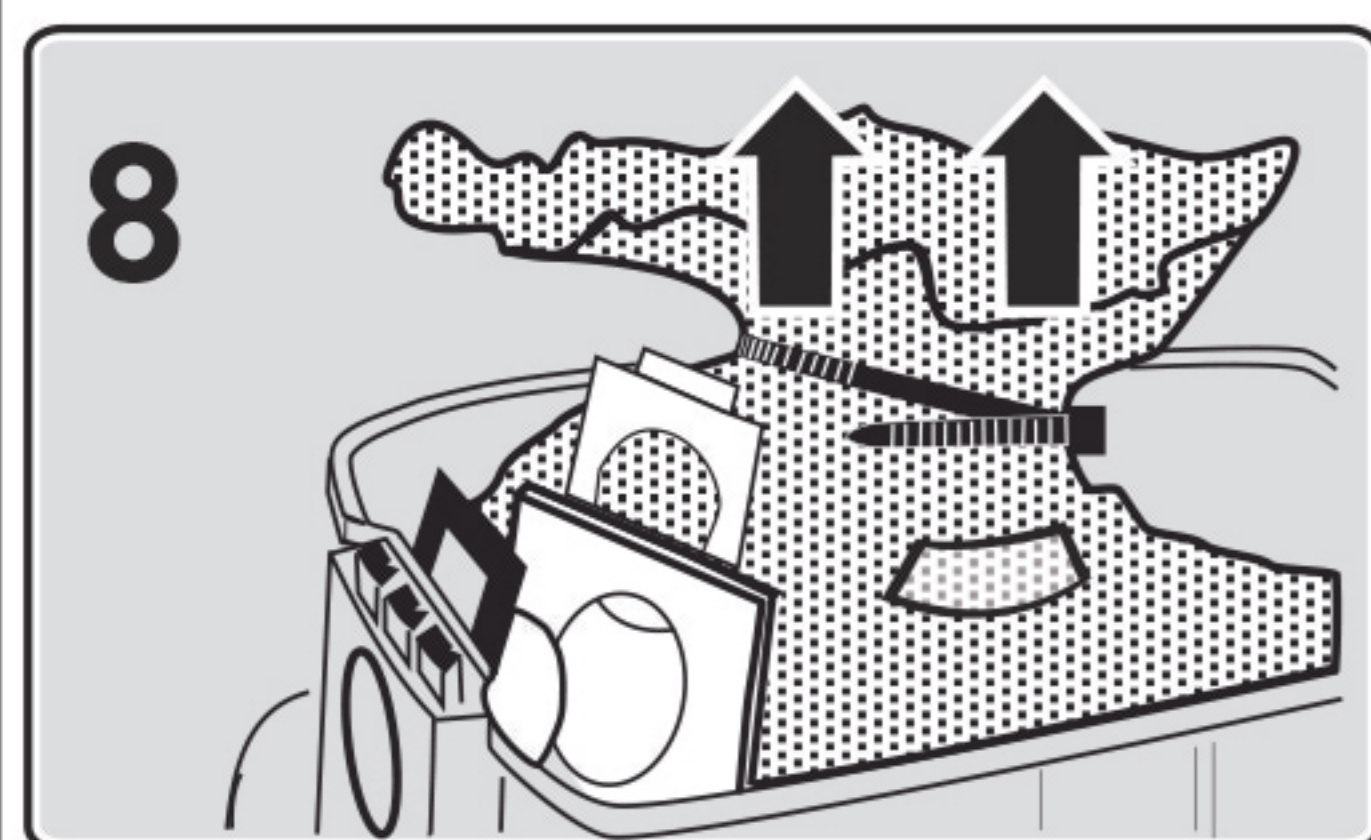
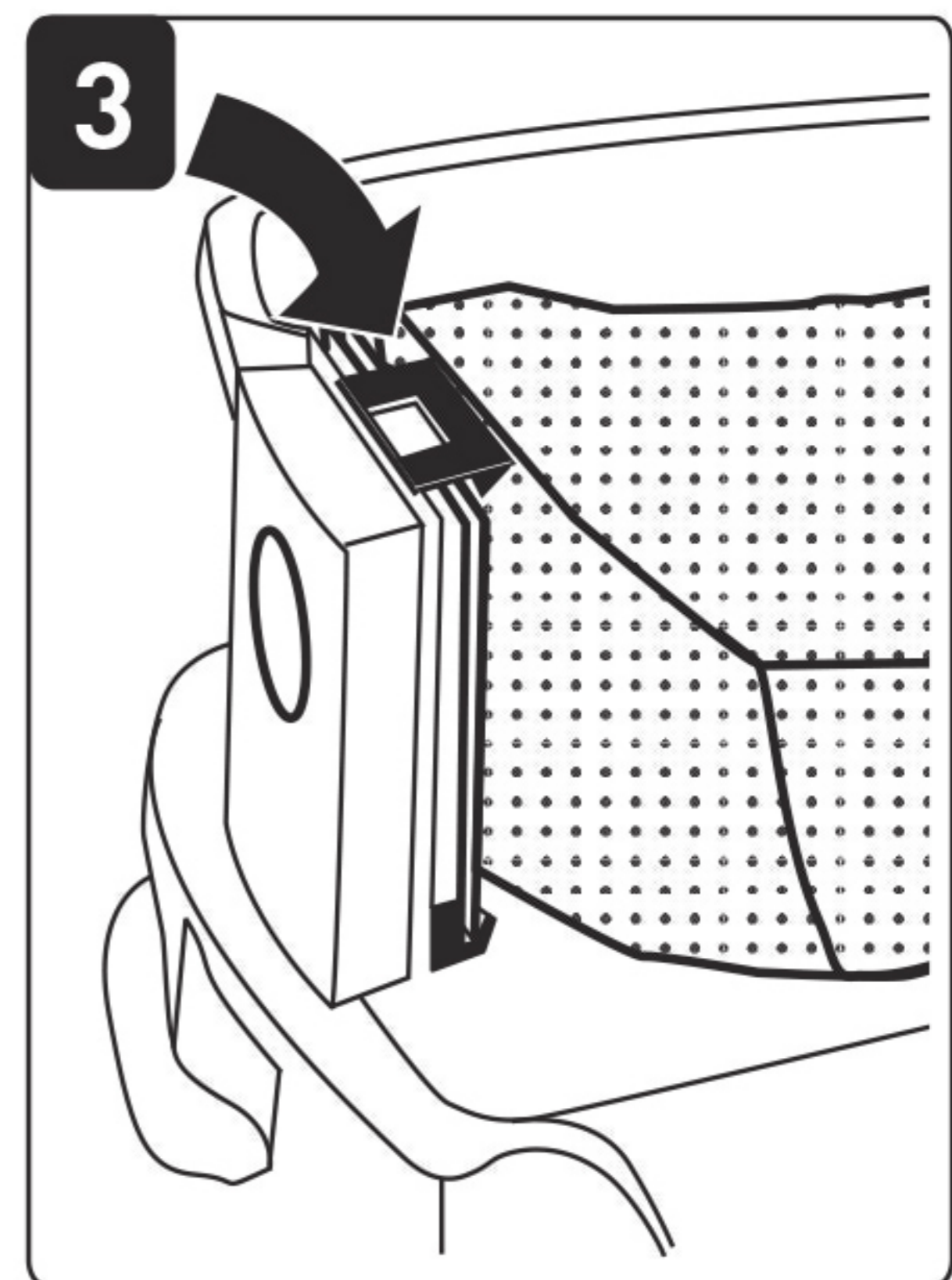
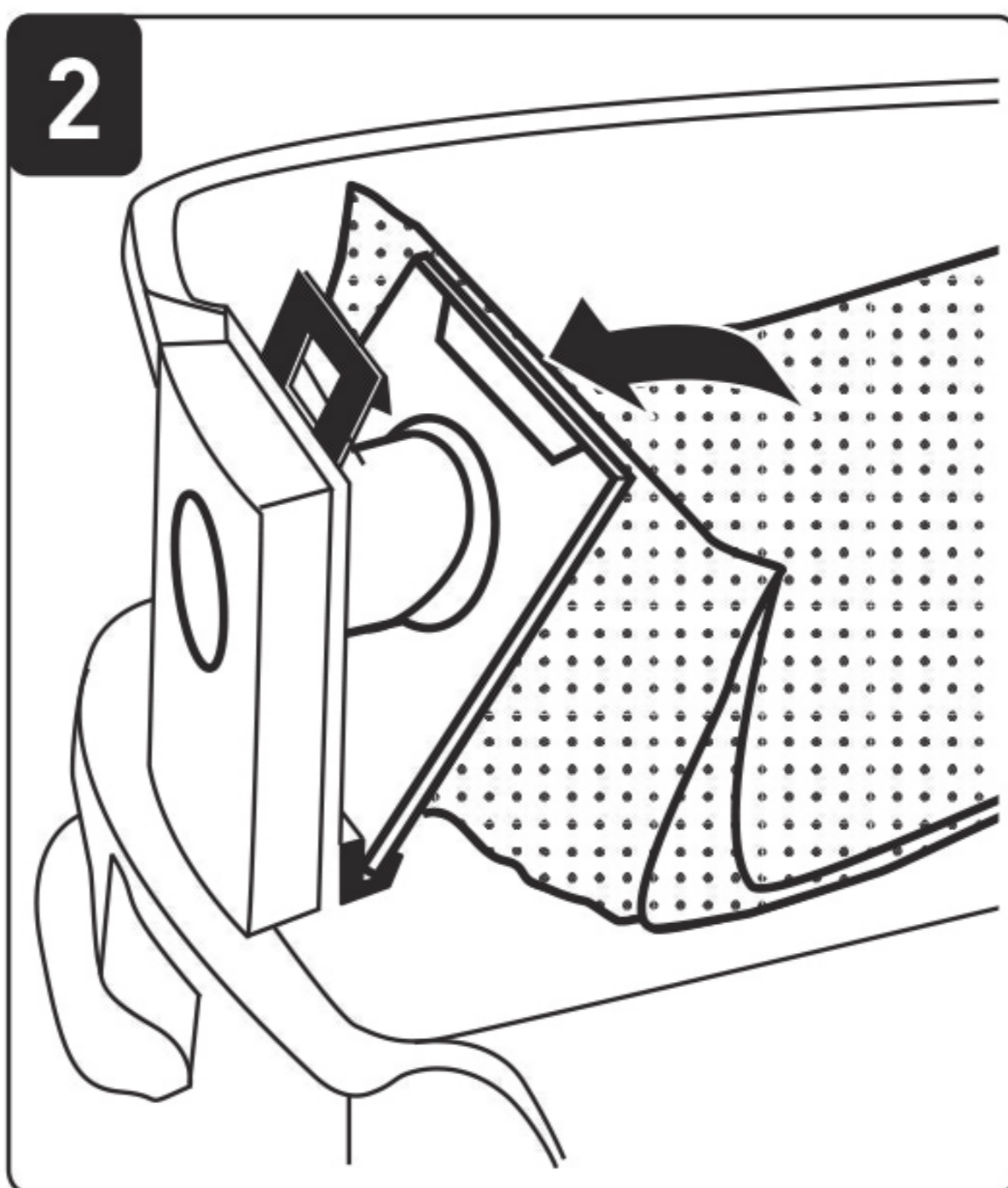
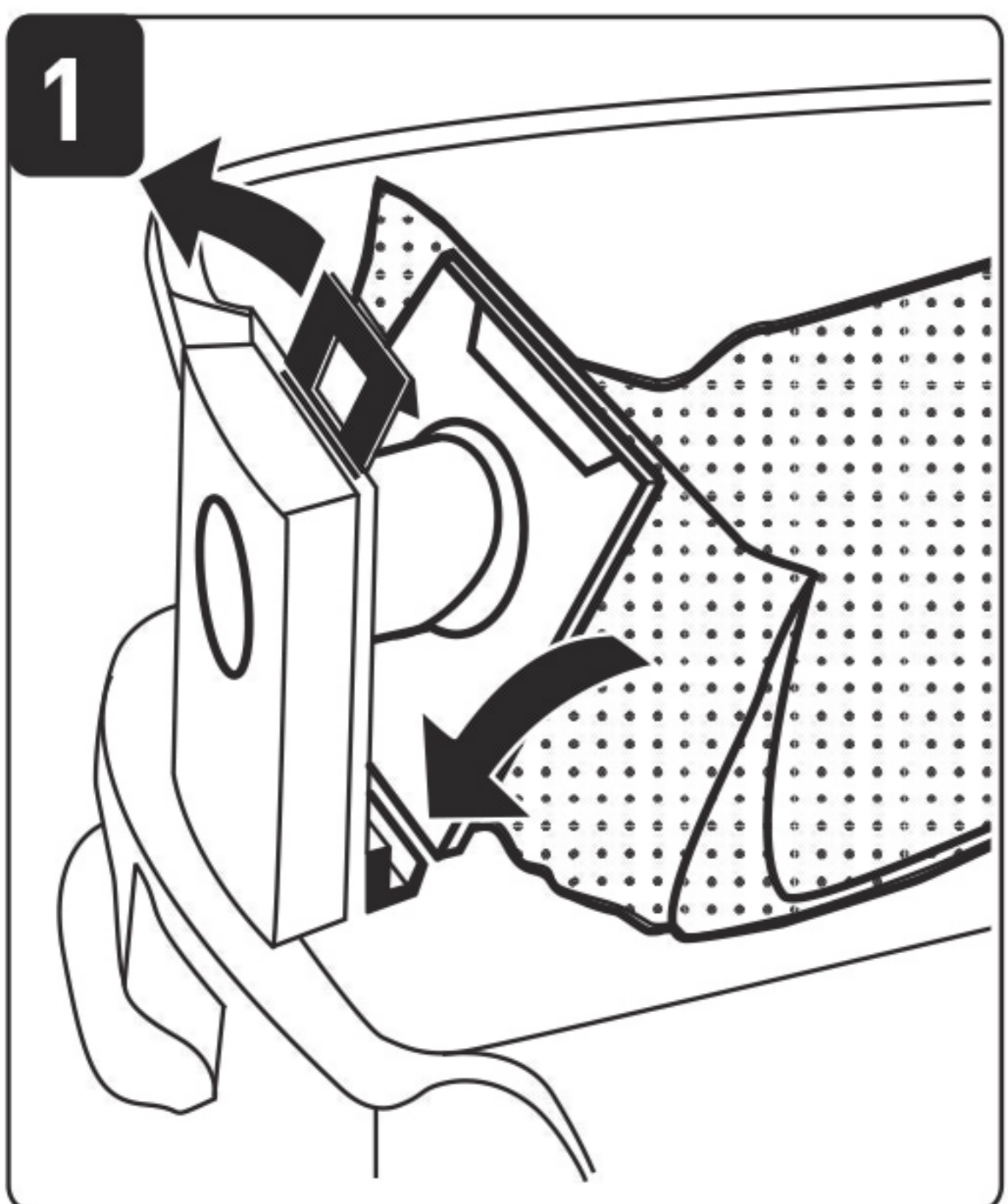


3



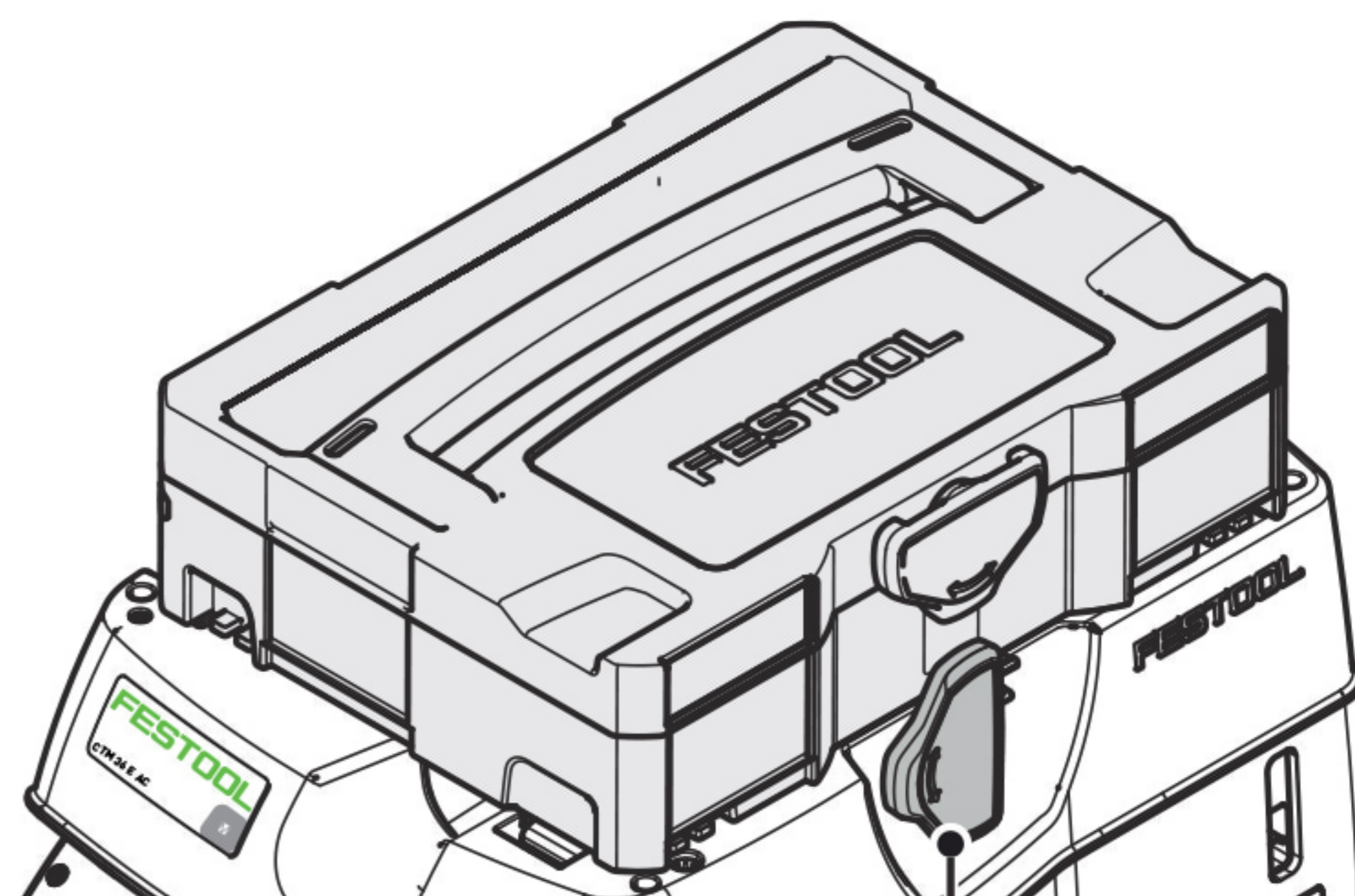


 SC FIS-CT26  
 SC FIS-CT36  
 SC FIS-CT48



8-2

8-1



8-1



Absaugmobil Mobile dust ext- ractors Aspirateurs	Seriennummer * Serial number * N° de série * (T-Nr.)
CTL 26 E	202411, 202413, 202414, 202415
CTL 26 E SD (E/A)	202419, 202420
CTL 26 E AC	202409, 202407, 202408
CTL 26 E AC HD	203032
CTL 36 E	202429, 202431, 202432
CTL 36 E AC	202422
CTL 36 E AC-LHS	202424, 202426
CTL 36 E LE	202436
CTL 36 E AC HD	203033, 203036
CTL 48 E	202439
CTL 48 E AC	202438

**(D) EG-Konformitätserklärung.** Wir erklären in alleiniger Verantwortung, dass dieses Produkt allen einschlägigen Bestimmungen der folgenden Richtlinien einschließlich ihrer Änderungen entspricht und mit den folgenden Normen übereinstimmt:

**(GB) EC-Declaration of Conformity.** We declare under our sole responsibility that this product is in conformity with all relevant provisions of the following directives including their amendments and complies with the following standards:

**(F) CE-Déclaration de conformité communautaire.** Nous déclarons sous notre propre responsabilité que ce produit est conforme aux normes ou documents de normalisation suivants:

**(E) CE-Declaración de conformidad.** Declaramos bajo nuestra exclusiva responsabilidad que este producto corresponde a las siguientes normas o documentos normalizados:

**(I) CE-Dichiarazione di conformità.** Dichiariamo sotto la nostra esclusiva responsabilità che il presente prodotto è conforme alle norme e ai documenti normativi seguenti:

**(NL) EG-conformiteitsverklaring.** Wij verklaren op eigen verantwoordelijkheid dat dit product voldoet aan de volgende normen of normatieve documenten:

**(S) EG-konformitetsförklaring.** Vi förklarar i eget ansvar, att denna produkt stämmer överens med följande normer och normativa dokument:

**(FIN) EY-standardinmukaisuusvakuutus.** Vakuutamme yksinvastuullisina, etta tuote on seuraavien standardien ja normatiivisten ohjeiden mukainen:

**(DK) EF-konformitetserklæring** Vi erklærer at have alene ansvaret for, at dette produkt er i overensstemmelse med de følgende normer eller normative dokumenter:

**(N) CE-Konformitetserklæring** Vi erklærer på eget ansvar at dette produktet er i overensstemmelse med følgende normer eller normative dokumenter:

**(P) CE-Declaração de conformidade:** Declaramos, sob a nossa exclusiva responsabilidade, que este produto corresponde às normas ou aos documentos normativos citados a seguir:

**(RU) Декларация соответствия ЕС:** Мы заявляем с исключительной ответственностью, что данный продукт соответствует следующим нормам или нормативным документам:

**(CZ) ES prohlášení o shodě:** Prohlašujeme s veškerou odpovědností, že tento výrobek je ve shodě s následujícími normami nebo normativními dokumenty:

**(PL) Deklaracja o zgodności z normami UE:** Niniejszym oświadczamy na własną odpowiedzialność, że produkt ten spełnia następujące normy lub dokumenty normatywne:

2006/42/EC, 2014/30/EU, 2011/65/EU  
EN 60335-1:2012 + A11:2014, EN 60335-2-69:2012,  
EN 55014-1: 2006 + A1:2009 + A2:2011,  
EN 55014-2: 2015, EN 61000-3-2: 2014,  
EN 61000-3-3: 2013, EN 50581:2012

**CE Festool GmbH**  
Wertstr. 20, D-73240 Wendlingen  
GERMANY

Wendlingen, 2018-04-16

ppa. 

Wolfgang Zondler  
Head of Research, Development and Technical Documentation



Ralf Brandt  
Head of Standardization & Approbation

\* im definierten Seriennummer-Bereich (S-Nr.) von 400000000 - 499999999

in the specified serial number range (S-Nr.) from 400000000 - 499999999

dans la plage de numéro de série (S-Nr.) de 400000000 - 499999999

 ПАРКЕТНАЯ КОМПАНИЯ

## Contents

1	Safety instructions.....	12
2	Technical data.....	12
3	Symbols.....	13
4	Machine features.....	13
5	Intended use.....	13
6	Operation.....	13
7	Settings.....	14
8	Working.....	15
9	Service and maintenance.....	15
10	Environment.....	16

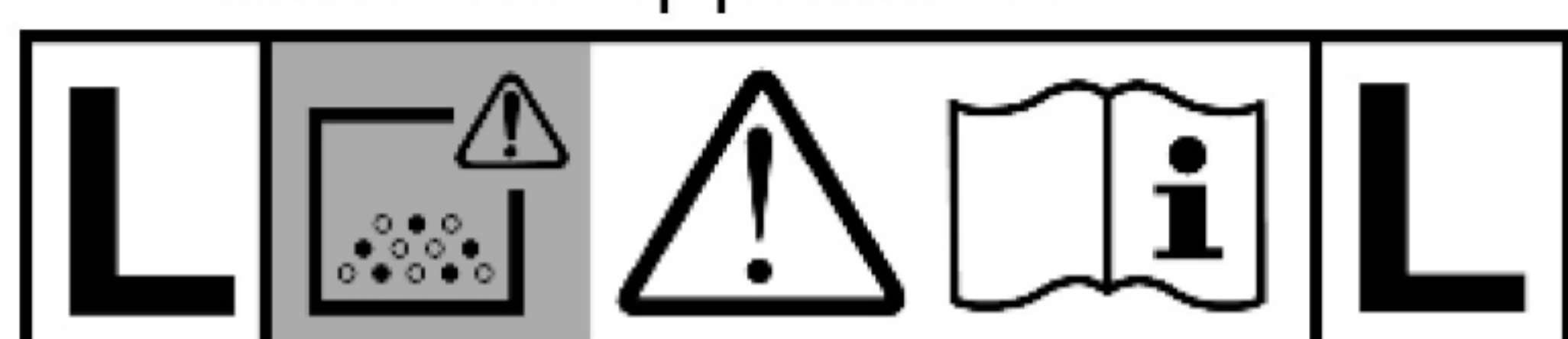
## 1 Safety instructions



**⚠ WARNING! Read all safety warnings, instructions, illustrations and specifications provided with this tool.** Failure to follow all instructions listed below may result in electric shock, fire and/or serious injury.

**Save all warnings and instructions for future reference.**

- This appliance must not be used by persons (including children) with reduced physical, sensory or mental capabilities, or lack of experience and knowledge. **Children** need to be supervised to ensure they do not play with the appliance.



- **WARNING!** Machine may contain hazardous dust. Only authorised qualified specialists

## 2 Technical data

### Mobile dust extractors

Power consumption		350 -1200 W
Maximum appliance socket connected load	EU	2400 W
	CH, DK	1100 W
	GB 240 V/ 110 V	1800 W/ 500 W
Max. suction capacity (air), turbine		234 m <sup>3</sup> /h (3900 l/min)
Max. vacuum, turbine		24000 Pa
Filter surface area		6318 cm <sup>2</sup>
Suction hose		D 27 mm x 3.5 m-AS
Length of the net cable		7.5 m
Sound pressure level as per EN 60704-2-1 / Uncertainty K		71 dB(A) / 3 dB
Protection category		IP X4

with suitable protective equipment may perform maintenance, empty the container and change the filter.

- Always operate with the filter system installed!
- **Risk of explosion and fire: Do not absorb:**
  - Sparks or hot dust;
  - Combustible or explosive materials (e.g. magnesium, aluminium, petrol, diluting agents);
  - Aggressive materials (e.g. acid, alkaline solutions, solvents);
  - Chemically reactive materials, which lead to the generation of heat, acids/bases, gases, etc. (e.g. reactive 2-component materials, aluminium and water).
- Observe all national safety regulations as well as the material manufacturer's specifications!
- Always use suitable protective equipment!
- If intact following a visual inspection, work in a dry environment according to instructions!
- Always use the socket on the machine for the purpose specified!
- Check the plug and the cable regularly and should either become damaged, in order to avoid a hazard, have them replaced by an authorised after-sales service workshop.
- Do not lift or transport using a crane hook or lifting gear!

## Mobile dust extractors

Container capacity	CTL 26 E, CTL 26 E AC, CTL 26 E SD	26 l
	CTL 36 E, CTL 36 E LE, CTL 36 E AC, CTL 36 E LE AC, CTL 36 E AC-LHS	36 l
	CTL 48 E, CTL 48 E LE, CTL 48 E AC, CTL 48 E LE AC	48 l
Dimensions L x W x H	CTL 26 E, CTL 26 E AC, CTL 26 E SD	630 x 365 x 540 mm
	CTL 36 E, CTL 36 E LE, CTL 36 E AC, CTL 36 E LE AC, CTL 36 E AC-LHS	630 x 365 x 596 mm
	CTL 48 E, CTL 48 E LE, CTL 48 E AC, CTL 48 E LE AC	740 x 406 x 1005 mm
Weight	CTL 26 E, CTL 26 E SD	13.9 kg
	CTL 36 E, CTL 36 E LE	14.4 kg
	CTL 48 E, CTL 48 E LE	18.8 kg
	CTL 26 E AC	14.7 kg
	CTL 36 E AC, CTL 36 E LE AC, CTL 36 E AC-LHS	15.2 kg
	CTL 48 E AC, CTL 48 E LE AC	19.6 kg

## 3 Symbols

Symbol Significance



Warning of general danger



Risk of electric shock



Read operating instructions and safety notices!



Wear a dust mask.



Tip or advice



Handling instruction



**Warning!** The machine may contain hazardous dust!



Do not dispose of as domestic waste.

**[1-7]** Automatic cleaning (only versions with AutoClean)

**[1-8]** Switch

**[1-9]** Suction power adjuster

**[1-10]** Locking clip

**[1-11]** Dust container

**[1-13]** Brake

The specified illustrations appear at the beginning of the Operating Instructions.

## 5 Intended use

Mobile dust extractor suitable for

- Extracting dust up to 1 mg/m<sup>3</sup> according to dust class 'L',
- Extracting water,
- Increased loads during commercial use, according to IEC/EN 60335-2-69.



The user is liable for improper or non-intended use.

## 6 Operation



### WARNING

**Unauthorised voltage or frequency!**

**Risk of accidents**

- Observe the specifications on the machine's name plate.
- Observe country-specific regulations.

### 6.1 Initial operation

## 4 Machine features

**[1-1]** Intake opening

**[1-2]** Module slot

(compressed air module for CTL 36/48 E LE, CTL 36/48 E LE AC, socket module for CTL 26 E SD)

**[1-3]** Appliance socket

**[1-4]** Hose store

**[1-5]** Handle

**[1-6]** SysDoc

- ▶ Insert the filter/disposal bag [2].
- ▶ Attach the cord holder [3].
- ▶ Connect the suction hose [4].

## 6.2 Connecting the mobile dust extractor



### WARNING

#### Risk of injury from tools starting up unexpectedly

- ▶ Before setting the switch to the "AUTO" or "MAN" position, make sure that the connected tool is switched off.

The switch [1-8] serves as an on/off switch.

#### Switch position "0"

Appliance socket [1-3] is disconnected from the power, mobile dust extractor is switched off.

#### "MAN" switch position

Appliance socket [1-3] is connected to the power, the mobile dust extractor starts.

#### "Auto" switch position

Appliance socket [1-3] is connected to the power, the mobile dust extractor starts when the connected tool is switched on.

- ▶ Insert the plug into an earthed socket.



Pull the plug from the socket when the machine is not in use and prior to maintenance and cleaning work.

## 6.3 Connecting electric power tools



### WARNING

#### Risk of injury

- ▶ Observe the maximum appliance socket connected load (see chapter "Technical data")
- ▶ Switch off the electric power tool.

- ▶ Connect the electric power tool to the appliance socket [1-3].

#### Special features of CTL26 E SD

- **CTL 26 E SD E/A:** Socket module with automatic switch-on function for the use of two electric power tools: e.g. 2 sanders, 1 jigsaw + 1 sander
- **CTL 26 E SD:** Socket module with permanent power supply for use as extension cable: e.g. charger, lamp, etc.

## 6.4 Connecting pneumatic tools



### WARNING

#### Risk of injury

- ▶ Switch off the air tool.

#### Automatic on/off switch for air tools (CTL 36/48 E LE, CTL 36/48 E LE AC or accessories)

with compressed air module in module slot [1-2]

#### Recommendation:

- Attachment of service unit VE (495886): compressed air filtered and lubricated
- Use of IAS system with IAS connector (454757) for Festool air tools

**Requirement:** tool with operating pressure of 6 bar!

## 6.5 Special features of the CTL 36 E AC-LHS

To use the mobile dust extractor in combination with the **PLANEX**:

- ▶ Use kink-resistant suction hose D 36 mm x 3.5 m-AS.
- ▶ Use a special suction sleeve for connecting the **PLANEX**.
- ▶ Use closing slide CT-VS between the intake opening [1-1] and suction hose.
- ▶ Attach the tool holder.
- ▶ **Always use with a disposal bag!**

## 7 Settings

### 7.1 Adjusting the suction power

- ▶ Use the rotary knob [1-9].

### 7.2 Temperature cut-out

A temperature cut-out switches the mobile dust extractor off when it reaches a critical temperature to prevent overheating.

- ▶ Switch off the mobile dust extractor, allow to cool for about 5 minutes then switch on again.



Not possible to switch on: contact Festool service workshop.

### 7.3 AUTOClean - Cleaning the main filter (only versions with AutoClean)



**Only in conjunction with disposal bag** (compliance with dust class 'L'). Not suitable for wet extraction!

## Automatic cleaning

Adjust the frequency using the rotary knob [1-7].

**Only CTL for 36 E AC-LHS:** switch on using the rotary knob [1-7].

## Manual cleaning

Turn the switch [1-8] to the **AC** symbol.

## Full manual cleaning

- ▶ Cover the end of the nozzle or suction hose with your hand or closing slide CT-VS (497926) for 2 seconds.
- ▶ Turn the switch [1-8] to the **AC** symbol.

## 8 Working


### 8.1 Handling

**Hose store:** after finishing work, you can feed the suction hose through the recess [8-2] and place it in the hose store.

**SysDoc Systainer attachment system:** a Systainer can be attached to the storage area via the four slides or the T-Loc [8-1].

### 8.2 Extracting dry materials

		<b>CAUTION</b>
<b>Hazardous dust</b>		
<b>Damage to the respiratory passage</b>		
▶ Always use a filter or disposal bag!		


 When extracting dust that exceeds the permitted limit values, only extract from a single machine (electric or air tool).

**Observe** the following when extracting dust generated by operating electric power tools: Ensure there is adequate ventilation! Observe regional regulations!

**Limit values:** exhaust air max. 50% of the clear air volume

**Formula:** room volume  $V_R$  x air renewal rate  $L_W$

### 8.3 Extracting wet materials/liquids

 Remove the filter or disposal bag!  
**Recommendation:** use special wet filter (NF-CT).

The dust extractor stops automatically when the maximum level is reached.

After wet extraction, allow the main filter to dry!



## CAUTION

### Escaping foam and fluids

- ▶ Switch off and empty the machine immediately.

### 8.4 After finishing work

- ▶ **Only versions with AutoClean:** Clean the main filter automatically or manually (see chapter 7.3).
- ▶ Switch off the mobile dust extractor and pull out the mains plug.
- ▶ Wind up the mains power cable.
- ▶ Empty the dirt trap.
- ▶ Place the mobile dust extractor in a dry room inaccessible to unauthorised users.

## 9 Service and maintenance



## WARNING

### Risk of injury, electric shock

- ▶ Always disconnect the mains plug from the socket before performing maintenance work on the machine!
- ▶ All maintenance and repair work which requires the motor housing to be opened must only be carried out by an authorised service workshop.



**Customer service and repair** only through manufacturer or service workshops: Please find the nearest address at: [www.festool.com/service](http://www.festool.com/service)



Only use original Festool spare parts! Order No. at: [www.festool.com/service](http://www.festool.com/service)

- ▶ Clean the level sensors [5] and empty the dirt trap [1-11] regularly.

### Observe the following instructions:

- The manufacturer or an instructed person must perform a dust test at least once a year to determine whether the filter is damaged, the machine is sealed properly

and the monitoring features are functioning correctly.

- Anything that cannot be cleaned must be discarded in impermeable bags. Observe applicable disposal regulations!

### 9.1 Filter bag / disposal bag / main filter

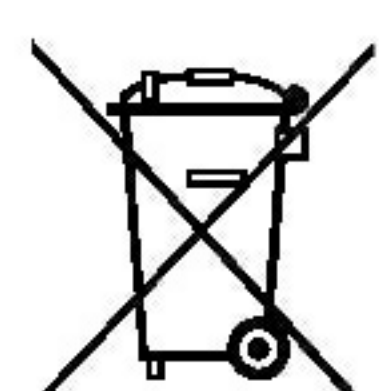
- ▶ Remove the filter bag **[6]**.
- ▶ Insert the filter bag **[7]**.
- ▶ Remove the disposal bag **[8]**.
- ▶ Insert the disposal bag **[9]**.
- ▶ Change the main filter **[10]**.

Dispose of the used filter in accordance with statutory regulations.



The order numbers for accessories, filters and consumables can be found in the Festool catalogue or on the internet at [www.festool.com](http://www.festool.com).

## 10 Environment



**Do not dispose of the device in household waste!** Recycle devices, accessories and packaging. Observe applicable national regulations.

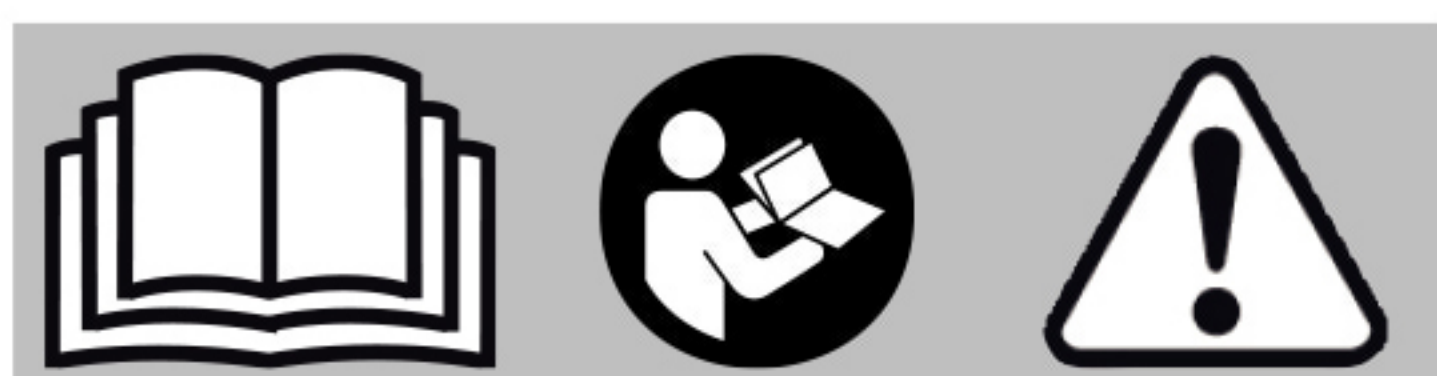
**EU only:** In accordance with European Directive on waste electrical and electronic equipment and implementation in national law, used electric power tools must be collected separately and handed in for environmentally friendly recycling.

**Information on REACH:** [www.festool.com/reach](http://www.festool.com/reach)

## Оглавление

1	Указания по технике безопасности...	62
2	Технические данные.....	62
3	Символы.....	63
4	Составные части инструмента.....	63
5	Применение по назначению.....	64
6	Начало работы.....	64
7	Настройки.....	65
8	Выполнение работ.....	65
9	Обслуживание и уход.....	66
10	Опасность для окружающей среды...	67

## 1 Указания по технике безопасности



**Внимание!** Прочтите все указания по технике безопасности и инструкции. Неточное соблюдение инструкций и предупреждений может стать причиной удара электрическим током, пожара и/или тяжелых травм.

**Сохраняйте все указания по технике безопасности и руководства для будущих владельцев.**

- Запрещается использовать данное устройство без присмотра лицам (включая детей) с ограниченными физическими, сенсорными или умственными способностями, или не имеющим необходимого опыта и знаний. Следите за тем, чтобы **дети** не играли с инструментом.



- **Внимание:** аппарат может содержать опасную для здоровья пыль. Обслуживание, опорожнение, смену фильтра дол-

жны выполнять только авторизованные специалисты, экипированные подходящими средствами индивидуальной защиты.

- Разрешается эксплуатировать только с установленной системой фильтрации!
- **Взрыво- и пожароопасность! Не допускайте всасывания:**
  - искр или горячей пыли;
  - горючих или взрывоопасных материалов (например, магния, алюминия, бензина, разбавителей);
  - едких веществ (напр. кислоты, щелочей, растворителей);
  - химически реактивных веществ, вступающих в реакцию с выделением тепла, образованием кислоты/щёлочи, газов и т. д. (напр. реактивные 2-компонентные материалы, алюминий и вода).
- Соблюдайте региональные правила техники безопасности и данные изготовителя материала!
- Разрешается работать только с использованием подходящих средств индивидуальной защиты!
- Убедитесь в исправном состоянии аппарата, работайте только в сухом помещении!
- Используйте розетку на аппарате только для указанной цели!
- Регулярно проверяйте вилку и кабель во избежание возможных повреждений. В случае повреждения замену вилки и кабеля выполняйте только в авторизованной мастерской Сервисной службы.
- Запрещается поднимать и транспортировать аппарат с помощью подъемника или крана.

## 2 Технические данные

### Пылеудаляющие аппараты

Потребляемая мощность		350 - 1200 Вт
Макс. допустимая мощность подключаемого инструмента:	ЕС	2400 Вт
	Чехия, Дания	1100 Вт
	Великобритания 240 В/110 В	1800 Вт/500 Вт
Макс. объёмный расход (воздуха), турбина		234 м <sup>3</sup> /ч (3900 л/мин)
Макс. разрежение, турбина		24000 Па
Площадь фильтроэлемента		6318 см <sup>2</sup>

## Пылеудаляющие аппараты

Всасывающий шланг		D 27 мм x 3,5 м AS
Длина сетевого кабеля		7,5 м
Уровень звукового давления согласно EN 60704-2-1 / Погрешность K		71 дБ(A) / 3 дБ
Вид защиты		IP X4
Объём резервуара	CTL 26 E, CTL 26 E AC, CTL 26 E SD	26 л
	CTL 36 E, CTL 36 E LE, CTL 36 E AC, CTL 36 E LE AC, CTL 36 E AC-LHS	36 л
	CTL 48 E, CTL 48 E LE, CTL 48 E AC, CTL 48 E LE AC	48 л
Размеры ДхШхВ	CTL 26 E, CTL 26 E AC, CTL 26 E SD	630 x 365 x 540 мм
	CTL 36 E, CTL 36 E LE, CTL 36 E AC, CTL 36 E LE AC, CTL 36 E AC-LHS	630 x 365 x 596 мм
	CTL 48 E, CTL 48 E LE, CTL 48 E AC, CTL 48 E LE AC	740 x 406 x 1005 мм
Масса	CTL 26 E, CTL 26 E SD	13,9 kg
	CTL 36 E, CTL 36 E LE	14,4 kg
	CTL 48 E, CTL 48 E LE	18,8 kg
	CTL 26 E AC	14,7 kg
	CTL 36 E AC, CTL 36 E LE AC, CTL 36 E AC-LHS	15,2 kg
	CTL 48 E AC, CTL 48 E LE AC	19,6 kg

### 3 Символы

Символ	Значение
	Предупреждение об общей опасности
	Предупреждение об ударе током
	Прочтите руководство по эксплуатации и указания по технике безопасности!
	Используйте респиратор!
	Инструкция, рекомендация
	Инструкция по использованию
	<b>Внимание!</b> Данный аппарат может содержать опасную для здоровья пыль!
	Не выбрасывать вместе с бытовыми отходами!

EAC



### 4 Составные части инструмента

- [1-1] Всасывающее отверстие
- [1-2] Гнездо для установки модулей (пневматический модуль у CTL 36/48 E LE, CTL 36/48 E LE AC, модуль штепсельных розеток у CTL 26 E SD)
- [1-3] Штепсельный разъём аппарата
- [1-4] Отсек для хранения шланга
- [1-5] Рукоятка
- [1-6] SysDoc
- [1-7] Автоматическая очистка (только модели с AutoClean)
- [1-8] Выключатель
- [1-9] Регулятор интенсивности всасывания


- [1-10] Зажимная скоба
- [1-11] Резервуар для грязи
- [1-13] Тормоз


Иллюстрации находятся в начале руководства по эксплуатации.

## 5 Применение по назначению

Пылеудаляющий аппарат предназначен

- для удаления пыли до 1 мг/м<sup>3</sup> класса 'L', включая древесную пыль и пыль,
- для всасывания воды,
- для повышенных нагрузок в промышленном производстве, согласно IEC/EN 60335-2-69.

 Ответственность за использование не по назначению несёт пользователь.

 Инструмент сконструирован для профессионального применения.

## 6 Начало работы

### ПРЕДУПРЕЖДЕНИЕ

**Недопустимое напряжение или частота!**

**Опасность несчастного случая**

- ▶ Соблюдайте параметры на заводской табличке.
- ▶ Учитывайте национальные особенности.

### 6.1 Первый ввод в эксплуатацию

- ▶ Вложите фильтр/мешок для утилизации [2].
- ▶ Установите бухту для кабеля [3].
- ▶ Подсоедините всасывающий шланг [4]

### 6.2 Подсоединение пылеудаляющего аппарата

### ПРЕДУПРЕЖДЕНИЕ

**Опасность травмирования по причине неконтролируемого включения инструмента**

- ▶ Прежде чем повернуть переключатель в положение "AUTO" или "MAN", убедитесь в том, что подсоединённый инструмент выключен.

Переключатель [1-8] служит выключателем.

### Положение переключателя '0'

Штепсельный разъём аппарата [1-3] обесточен, пылеудаляющий аппарат выключен.


### Положение переключателя 'MAN'

Штепсельный разъём аппарата [1-3] находится под напряжением, пылеудаляющий аппарат включается.

### Положение переключателя 'Auto'

Штепсельный разъём аппарата [1-3] находится под напряжением, пылеудаляющий аппарат включается при включении подсоединённого инструмента.

- ▶ Вставьте вилку в розетку с заземлением.

 По окончании работ с использованием аппарата, а также перед техническим обслуживанием и ремонтом вынимайте вилку из розетки.

### 6.3 Подсоединение электроинструмента

#### ПРЕДУПРЕЖДЕНИЕ

**Опасность травмирования**

- ▶ Соблюдайте указания в отношении макс. допустимой мощности подключаемого инструмента (см. главу «Технические данные»).
- ▶ Выключите электроинструмент.

- ▶ Подсоедините электроинструмент к штепсельному разъёму аппарата [1-3].

### Особенности CTL26 E SD

- **CTL 26 E SD E/A:** модуль штепсельных розеток с устройством автоматического включения для работы с двумя электроинструментами: 2 шлифмашины, 1 лобзик + 1 шлифмашина
- **CTL 26 E SD:** модуль штепсельных розеток с постоянной подачей тока для использования в качестве удлинительного кабеля: для зарядного устройства, осветительного устройства и т. п.

### 6.4 Подсоединение пневмоинструмента

#### ПРЕДУПРЕЖДЕНИЕ

**Опасность травмирования**

- ▶ Выключите пневмоинструмент.

**Устройство автоматического включения при работе с пневмоинструментами (CTL 36/48 E LE, CTL 36/48 E LE AC или оснастка)**

с пневматическим модулем в гнезде для установки модулей [1-2]

**Рекомендация:**

- Установка блока подготовки воздуха VE (495886): отфильтрованный сжатый воздух с подачей масла
- использование системы IAS с соединительным элементом IAS (454757) для пневматических инструментов Festool

**Обязательное условие:** рабочее давление инструмента 6 бар!

### 6.5 Особенности CTL 36 E AC- LHS

Для использования пылеудаляющего аппарата в комбинации с **PLANEX**:

- ▶ Используйте входящий в комплект поставки всасывающий шланг D 36 мм x 3,5 м AS.
- ▶ Используйте специальную всасывающую муфту для подключения **PLANEX**.
- ▶ Установите затвор CT-VS между всасывающим отверстием [1-1] и шлангом
- ▶ Установите держатель инструментов.
- ▶ **Разрешается использовать только с мешком для утилизации!**

## 7 Настройки

### 7.1 Регулировка интенсивности всасывания

- ▶ с помощью винта-барашка [1-9].

### 7.2 Защита от перегрева

Защита от перегрева отключает пылеудаляющий аппарат до достижения критической температуры.

- ▶ Защита от перегрева отключает пылеудаляющий аппарат до достижения критической температуры.
- ▶ Выключите пылеудаляющий аппарат, дайте ему остыть в течение прим. 5 минут, подключите.



Аппарат не включается: обратитесь в мастерскую Сервисной службы Festool.

### 7.3 Очистка основного фильтра AUTOClean(только модели с AutoClean)



**Только при использовании мешка для утилизации** (класс пыли 'L'). Не для мокрого всасывания!

#### Система автоматической очистки

Установите частоту с помощью винта-барашка [1-7].

**Только CTL для 36 E AC- LHS:** включается поворотной кнопкой [1-7].

#### Ручная очистка

Установите переключатель [1-8] на символ **AC**.

#### Полная очистка вручную

- ▶ Закройте ладонью или затвором CT-VS (497926) на 2 секунды отверстие сопла или всасывающего шланга.
- ▶ Установите переключатель [1-8] на символ **AC**.

## 8 Выполнение работ

### 8.1 Использование

**Отсек для хранения шланга:** по окончании работы всасывающий шланг можно протянуть через отверстие [8-2] и сложить в отсеке для хранения шланга.

**Место крепления системнера SysDoc:** здесь при помощи четырёх защёлок или системы T-Loc [8-1] можно закрепить системнер.

### 8.2 Сбор сухих материалов



#### ВНИМАНИЕ

**Опасная для здоровья пыль  
Повреждение дыхательных путей**

- ▶ Всегда используйте мешок-пылесборник или мешок для утилизации!



В режиме удаления пыли с ПДК вредных для здоровья веществ всасывание следует производить только от одного источника пыли (электро- или пневмоинструмента).

**Соблюдайте** следующие правила при сборе пыли, образующейся в результате работы электроинструмента:

Обеспечьте достаточную вентиляцию! Соблюдайте региональные предписания!

**Предельные значения:** отвод не более 50 % от объёмного расхода приточного воздуха

**Формула:** объём помещения  $V_R$  x интенсивность воздухообмена  $L_W$

### 8.3 Всасывание мокрых материалов/ жидкостей

 Удалите из аппарата мешок-пылесборник или мешок для утилизации!

**Рекомендация:** используйте специальный фильтр для влажной уборки (NF-CT).

При достижении максимального уровня заполнения всасывание автоматически прекращается.

После мокрого всасывания просушите фильтрующий элемент!



Используйте только оригинальные запасные части Festool! № для заказа на: [www.festool.com/service](http://www.festool.com/service)

- ▶ Регулярно очищайте датчики уровня [5] и вытряхивайте грязь из резервуара для грязи [1-11].


#### Соблюдайте следующие указания:


- Не реже одного раза в год изготовитель или лицо, прошедшее соответствующий инструктаж, должны проводить технический контроль с целью выявления нарушения защиты от пыли (например, проверку целостности фильтра, герметичности аппарата и исправности действия контрольного оборудования).
- То, что невозможно очистить, подлежит утилизации. Используйте для этого герметичные пакеты. Соблюдайте действующие правила утилизации отходов!

#### 9.1 Мешок-пылесборник/ мешок для утилизации/ фильтрующий элемент

- ▶ Извлечение мешка-пылесборника [6]
- ▶ Установка мешка-пылесборника [7]
- ▶ Извлечение мешка для утилизации [8]
- ▶ Установка мешка для утилизации [9]
- ▶ Замена фильтрующего элемента [10]

Утилизируйте использованный фильтрующий элемент в соответствии с законодательными предписаниями.

-  Номера для заказа оснастки, фильтров и расходных материалов можно найти в Каталоге Festool или в Интернете на сайте: [www.festool.com](http://www.festool.com).

 **ВНИМАНИЕ**



**Выступающая пена и жидкости**

- ▶ Немедленно выключите и опорожните аппарата.

### 8.4 По окончании работы

- ▶ **Только модели с AutoClean:** очистите фильтрующий элемент автоматически или вручную (см. главу 7.3).
- ▶ Выключите пылеудаляющий аппарат и выньте вилку из розетки.
- ▶ Смотайте сетевой кабель.
- ▶ Опорожните резервуар для грязи.
- ▶ Поставьте пылеудаляющий аппарат в сухом помещении, примите меры для предупреждения использования без разрешения.

## 9 Обслуживание и уход

  **ПРЕДУПРЕЖДЕНИЕ**

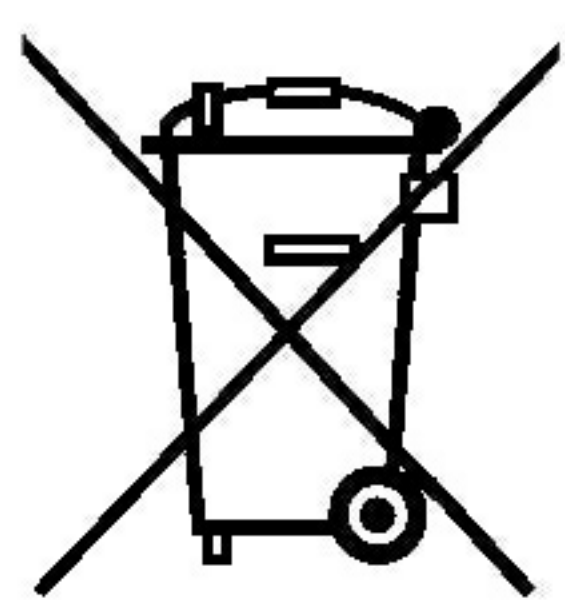
**Опасность травмирования, удар током**

- ▶ Перед началом любых работ на машинке вынимайте вилку из розетки!
- ▶ Все работы по обслуживанию и ремонту, которые требуют открывания корпуса двигателя, могут выполняться только авторизованной мастерской сервисной службы.



**Сервисное обслуживание и ремонт** только через фирму-изготовителя или в наших сервисных мастерских: адрес ближайшей мастерской см. на [www.festool.com/service](http://www.festool.com/service)

## 10 Опасность для окружающей среды



**Не выбрасывайте инструмент вместе с бытовыми отходами!** Обеспечьте экологически безопасную утилизацию инструментов, оснастки и упаковки. Соблюдайте действующие национальные предписания!

**Только для стран ЕС:** согласно директиве ЕС об отходах электрического и электронного оборудования, а также гармонизированным национальным стандартам отслужившие свой срок электроинструменты должны утилизироваться отдельно и направляться на экологически безопасную переработку.

**Информация по директиве REACH:**

[www.festool.com/reach](http://www.festool.com/reach)